

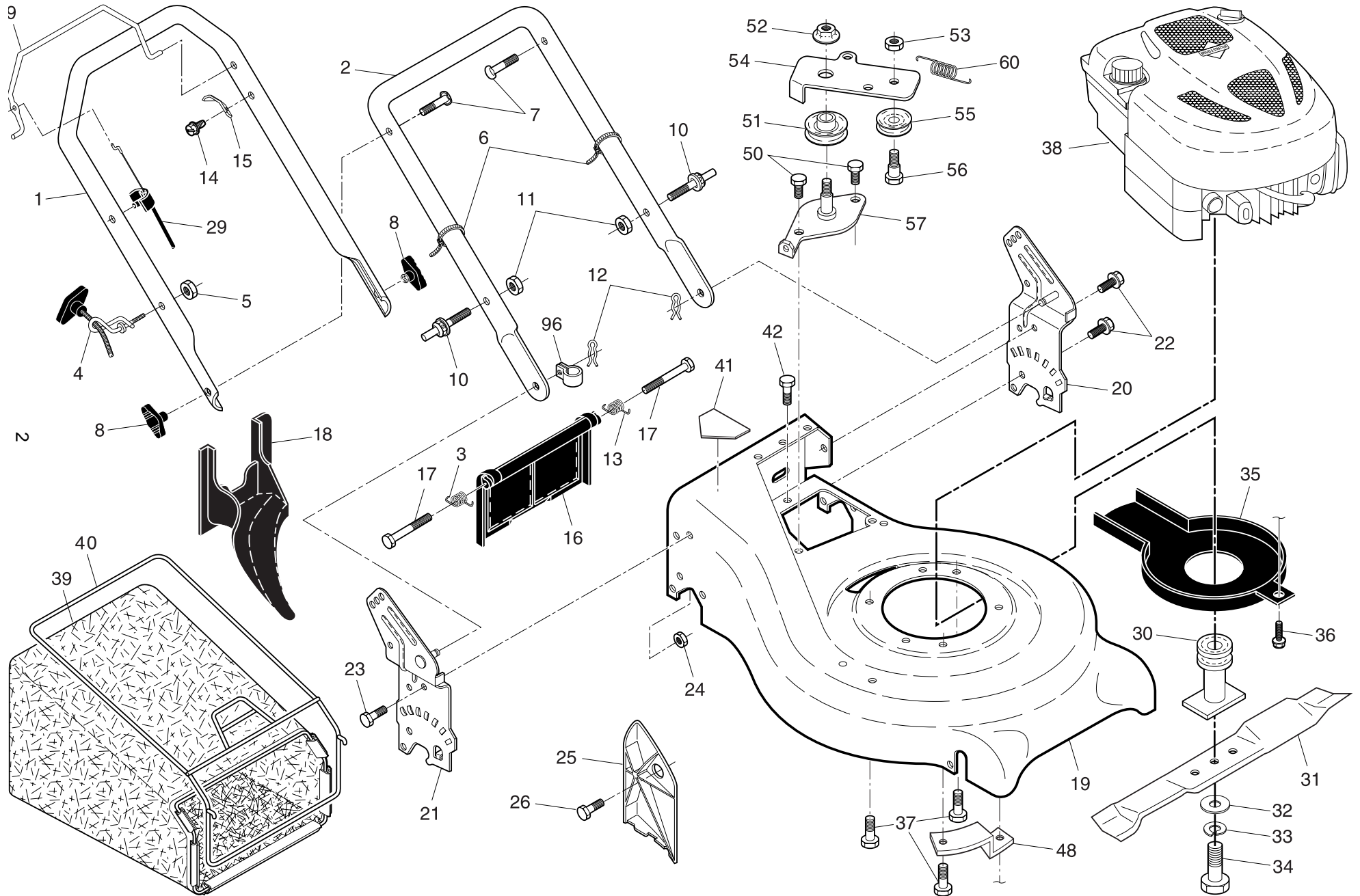
ILLUSTRATED PARTS LIST

MODEL NUMBER M553CM

PRODUCT NUMBER 961 41 01-11

MFG. ID. NUMBER 96141011102

ROTARY LAWN MOWER - - MODEL NUMBER M553CM (96141011102) PRODUCT NUMBER 961 41 01-11



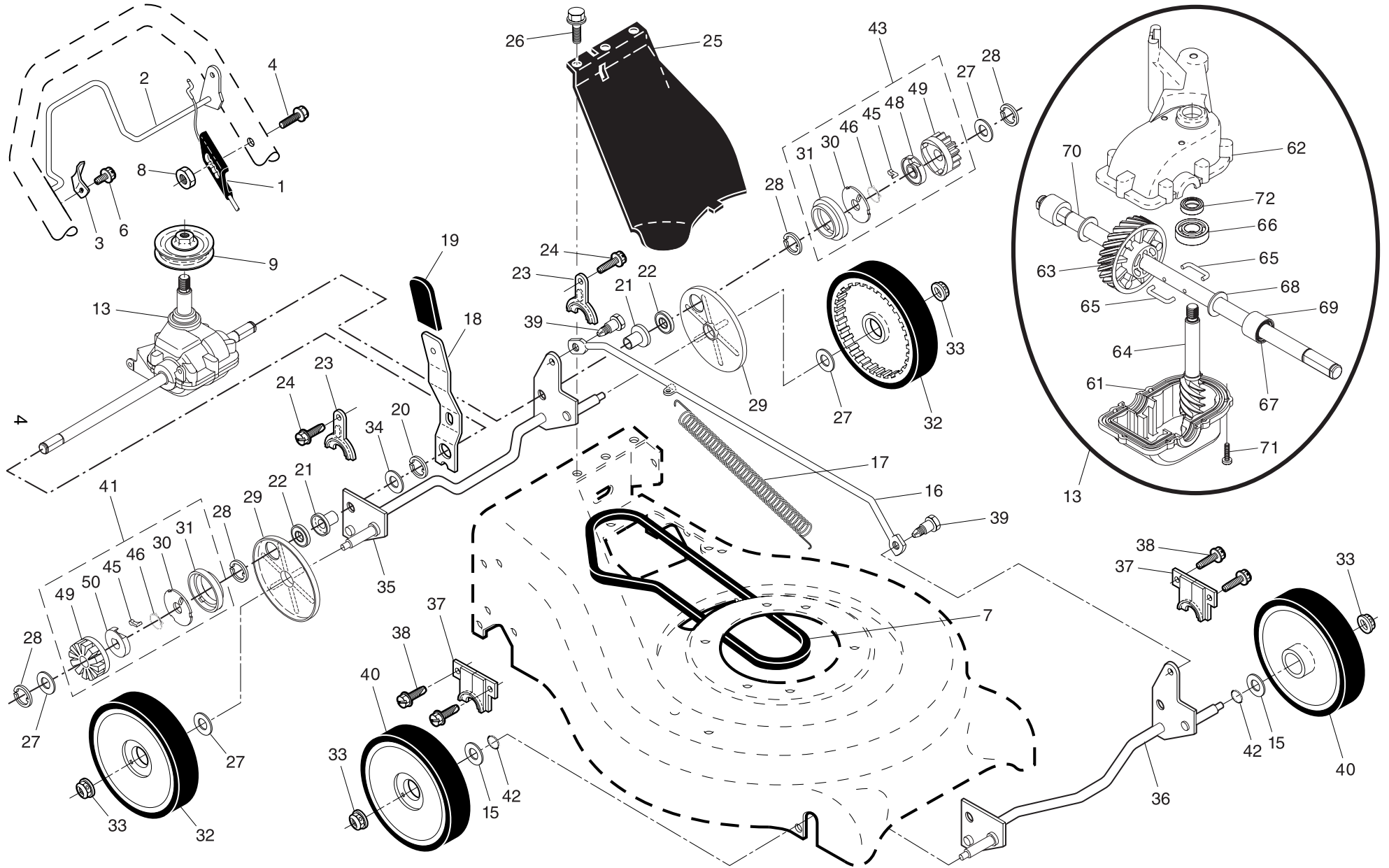
ROTARY LAWN MOWER - - MODEL NUMBER M553CM (96141011102) PRODUCT NUMBER 961 41 01-11

KEY NO.	PART NO.	DESCRIPTION	KEY NO.	PART NO.	DESCRIPTION
1	532 17 80-67	Handle, Upper, Deluxe Comfort	31	532 19 93-77	Blade, 21"
2	532 19 60-05	Handle, Lower	32	532 85 10-74	Washer, Hardened
3	532 40 54-16	Spring, Rear Door, RH	33	532 85 02-63	Lockwasher, Helical Spring 3/8
4	532 19 47-88	Guide, Rope, Side	34	532 85 10-84	Screw, Hex Head 3/8-24 x 1.38
5	532 13 20-04	Nut, Hex, with Lockwasher Insert 1/4-20	35	532 18 87-86	Shield, Debris
6	532 06 64-26	Wire, Tie	36	532 19 23-25	Screw
7	532 19 15-74	Bolt, Handle 5/16-18 x 1.75	37	532 15 04-06	Bolt, Engine
8	532 19 19-38	Knob, Handle	38	- - -	Engine, Briggs & Stratton, Model No. 12F802 (Order parts from engine manufacturer)
9	532 19 18-19	Bail, Control, Wire, Deluxe Comfort, Black	39	532 41 06-76	Bag, Grass Catcher
10	532 18 88-21	Bolt, Carriage	40	532 40 74-53	Frame, Grass Bag
11	532 75 11-53	Nut, Hex, with Lockwasher Insert 5/16-18 UNC	41	532 18 21-66	Decal Danger
12	532 05 17-93	Cotter, Hairpin	42	532 05 45-83	Screw, Self Tapping
13	532 40 54-15	Spring, Rear Door, LH	48	532 19 09-39	Mounting Bracket, Debris Shield
14	532 12 51-62	Bracket, Upstop	49	532 16 60-43	Idler Pulley
15	532 75 06-34	Screw, Tapping, Hex Washer Head #10-24	50	532 05 78-08	Screw
16	532 40 88-88	Rear Door Assembly	51	532 19 37-91	Pulley, Idler
17	532 18 41-93	Bolt, Rear Door	52	532 40 91-49	Nut, Hex
18	532 19 81-70	Plug, Mulcher	53	532 15 55-52	Nut, Hex
19	532 40 97-11	Kit, Lawn Mower Housing Assembly	54	532 19 68-12	Idler Arm
20	532 19 40-29	Handle Bracket Assembly, LH	56	532 16 08-29	Bolt
21	532 19 40-31	Handle Bracket Assembly, RH	57	532 19 33-15	Idler Bracket
22	532 15 00-78	Screw, Hex Washer Head	60	532 18 22-26	Spring, Return
23	532 16 31-83	Bolt, Hex Head 5/16-18 x 5/8	96	532 19 79-91	Clip, Cable
24	873 80 05-00	Nut, Hex, with Lockwasher Insert 5/16-18	- -	532 18 21-34	Warning Decal (not shown)
25	532 16 13-33	Baffle, Side	- -	532 40 97-05	Operator's Manual, European
26	532 16 34-09	Screw #12 x 5/8	- -	532 40 97-06	Operator's Manual, Scandinavian
29	532 19 12-21	Cable, Operator Presence	- -	532 40 97-07	Operator's Manual, East Bloc
30	532 18 91-79	Blade Adapter / Pulley	- -	532 40 97-08	Operator's Manual, Baltic

NOTE: All component dimensions given in U.S. inches. 1 inch = 25.4 mm

IMPORTANT: Use only Original Equipment Manufacturer (O.E.M.) replacement parts. Failure to do so could be hazardous, damage your lawn mower and void your warranty.

ROTARY LAWN MOWER - - MODEL NUMBER M553CM (96141011102) PRODUCT NUMBER 961 41 01-11



ROTARY LAWN MOWER - - MODEL NUMBER M553CM (96141011102) PRODUCT NUMBER 961 41 01-11

KEY NO.	PART NO.	DESCRIPTION	KEY NO.	PART NO.	DESCRIPTION
1	532 40 98-95	Cable, Drive	34	532 85 12-26	Washer
2	532 16 14-73	Bail, Control, Drive	35	532 41 09-22	Shaft Assembly, Rear
3	532 16 45-57	Bracket, Downstop	36	532 41 09-33	Shaft Assembly, Front
4	532 19 96-87	Screw	37	532 16 14-63	Retainer, Front Shaft
6	532 75 06-34	Screw, Tapping, Hex Washer Head #10-24	38	532 16 34-09	Screw, Hi-Lo Thread #12 x 5/8
7	532 18 22-12	V-Belt	39	532 40 70-59	Bolt, Shoulder, Semi-Gimlett Point
8	532 19 17-30	Nut, Hex	40	532 41 09-21	Wheel & Tire Assembly, Front 8 x 2
9	532 19 41-28	Pulley, Driven	41	532 18 83-30	Pinion Asm., RH
13	532 18 86-45	Gearcase Assembly, Complete	42	532 19 74-80	O-Ring
15	532 08 83-48	Washer, Flat 3/8	43	532 18 83-31	Pinion Asm., LH
16	532 40 71-47	Rod, Connecting	45	532 17 50-98	Drive Pawl
17	532 40 96-16	Spring, Extension	46	532 18 82-91	Spring Torsion
18	532 19 61-62	Spring, Selector	48	532 17 51-05	Retainer Dr., LH
19	532 19 00-69	Knob, Selector Spring	49	532 17 51-03	Gear
20	812 00 00-22	E-Ring 7/8	50	532 17 51-02	Retainer Dr., RH
21	532 16 33-65	Bearing Support	61	532 18 75-30	Case, Lower
22	532 16 99-11	Bearing, Ball	62	532 18 75-31	Case, Lower
23	532 16 45-55	Retainer, Drive Assembly	63	532 18 75-32	Gear, 24 Teeth
24	532 05 78-08	Screw, Tapping, Hex Head 1/4-20 x .75	64	532 18 75-33	Shaft, Input
25	532 40 28-07	Cover, Drive	65	532 18 35-05	Wire, Formed
27	532 06 77-25	Washer, Shim (as needed)	66	532 18 35-06	Bearing, Ball
28	812 00 00-58	E-Ring 7/16	67	532 18 35-08	Seal, Output Shaft
29	532 18 94-03	Cover, Dust, Wheel	68	532 18 35-09	Washer
30	532 17 51-04	Disc Drive	69	532 18 35-11	Bushing
31	532 18 41-72	Seal Friction	70	532 19 12-49	Shaft, Output
32	532 40 29-36	Wheel & Tire Assembly, Rear, Driven 9 x 2	71	532 18 35-13	Screw
33	532 40 91-48	Nut, Hex, Flangelock	72	532 18 35-14	Seal, Input Shaft

5

NOTE: All component dimensions given in U.S. inches. 1 inch = 25.4 mm

IMPORTANT: Use only Original Equipment Manufacturer (O.E.M.) replacement parts. Failure to do so could be hazardous, damage your lawn mower and void your warranty.